



Lungs Surgery

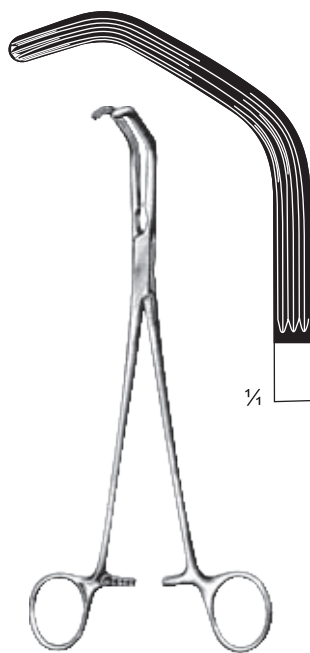




Sarot
BS12-001-23 - BS12-007-23
23 cm/9"



Semb
BS12-009-24 - BS12-011-24
24 cm/9 1/2"



Price-Thomas
BS12-013-22
22 cm/8 3/4"



Price-Thomas
BS12-015-22
22 cm/8 3/4"



Allison
BS12-019-30 = 30 cm / 12 3/4"
BS12-019-32 = 32 cm / 13"



BS12-021-26
26 cm / 10 1/4"



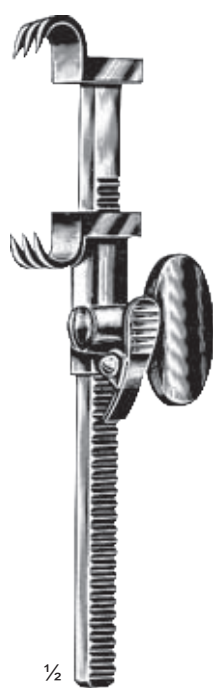
Crafoord
BS12-023-28
28 cm / 11"



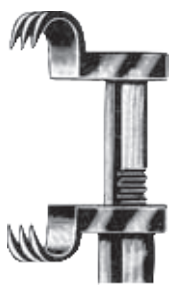
BS12-025-19
19 cm / 7 1/2"



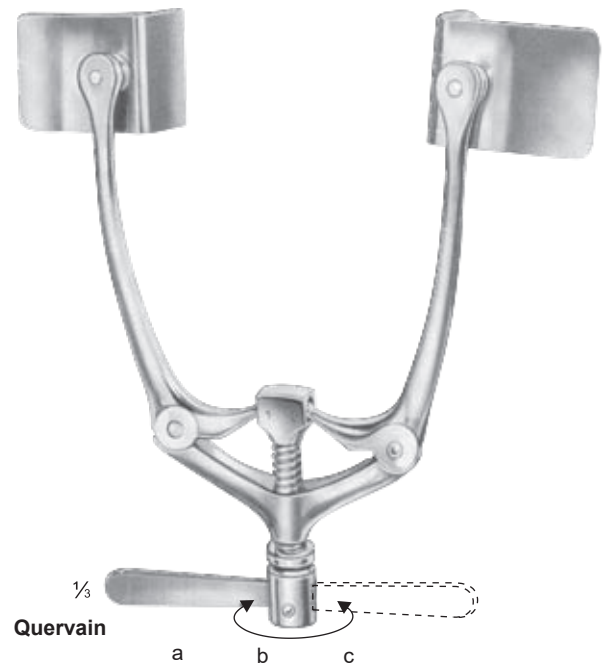
Bailey-Baby
BS12-027-14
14 cm / 5 1/2"



Bailey
BS12-029-16
16 cm / 6 1/4"



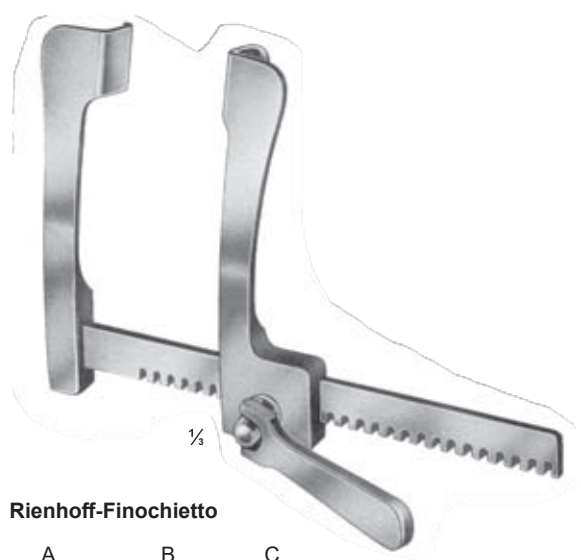
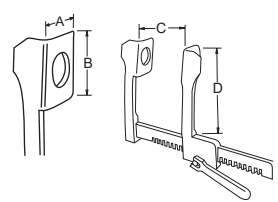
Bailey-Gibbon
BS12-031-16
16 cm / 6 1/4"



Quervain
BS12-033-00
Rib Spreaders
35 mm 50 mm 180 mm



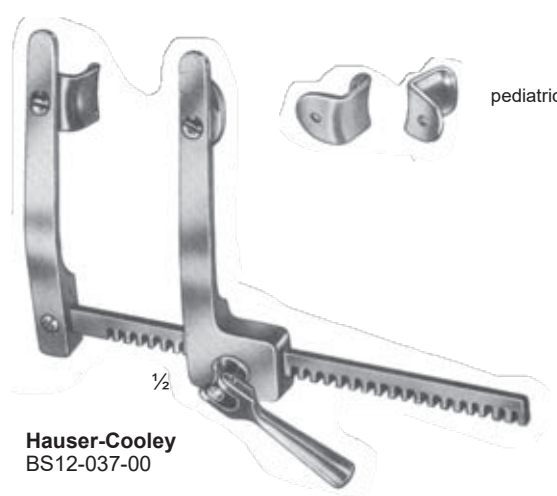
Rib Spreaders, stainless



Rienhoff-Finochietto

A	B	C
21mm	26mm	150mm

BS12-035-26



Hauser-Cooley
BS12-037-00

With swivel blades

pediatric size

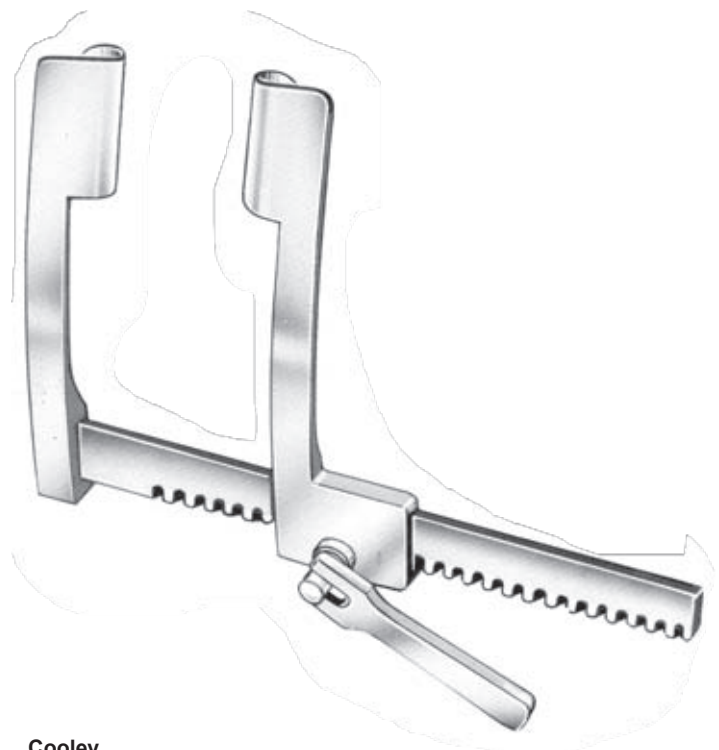


for children

Finochietto-Baby-Haight

A	B	C
31mm/1¼"	31mm/1¼"	100mm/4"

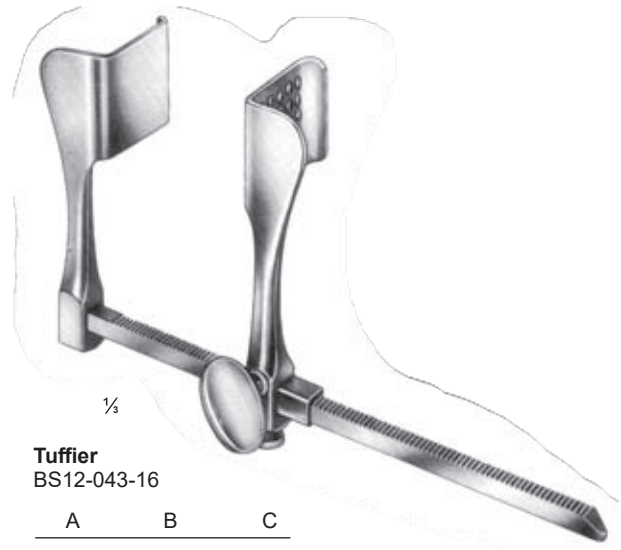
BS12-039-10



Cooley

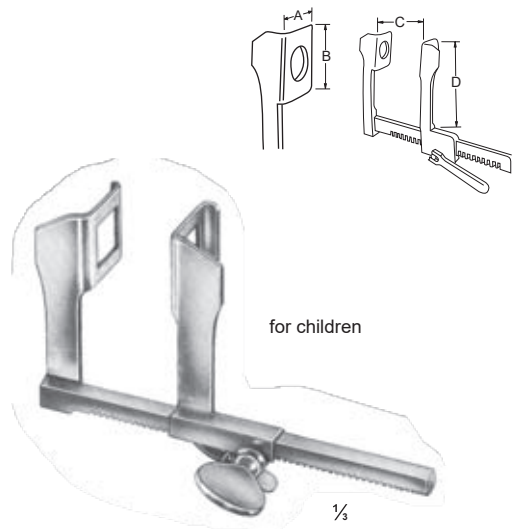
	A	B	C
BS12-041-50	21 mm, ¾"	44mm, 1 ¾"	150mm, 6"
BS12-041-00	37 mm, 1 ½"	49mm, 1 7/8"	20mm/8"

BS12-041-50 for children
BS12-041-00 for adults



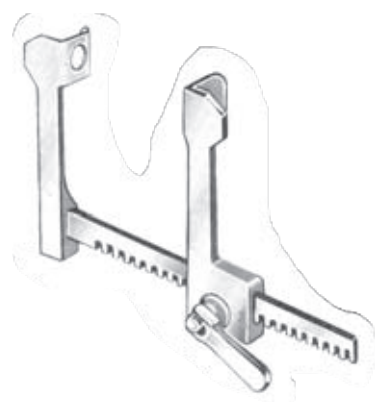
Tuffier
BS12-043-16

A	B	C
50mm	45mm	165mm



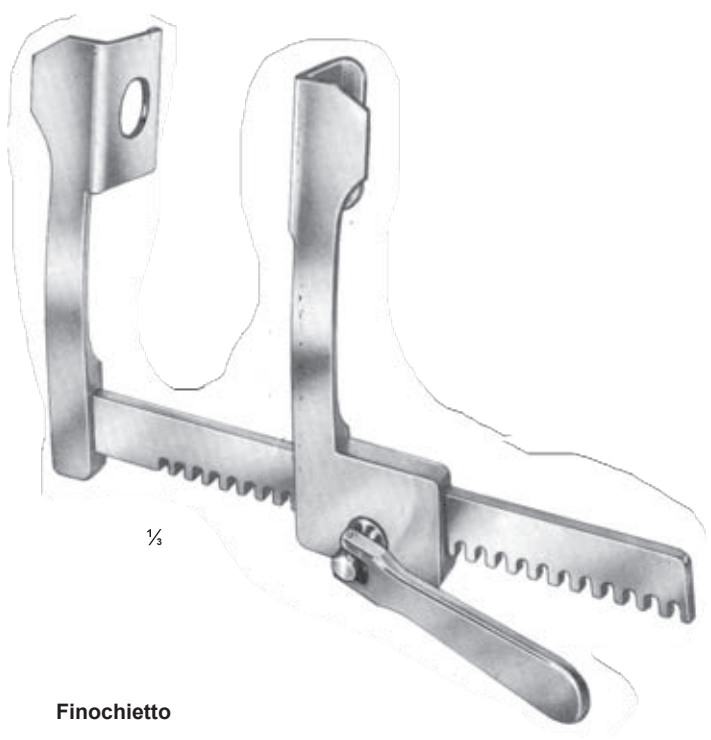
Baby-Haight
BS12-045-90

A	B	C	D
30mm	30mm	90mm	90mm



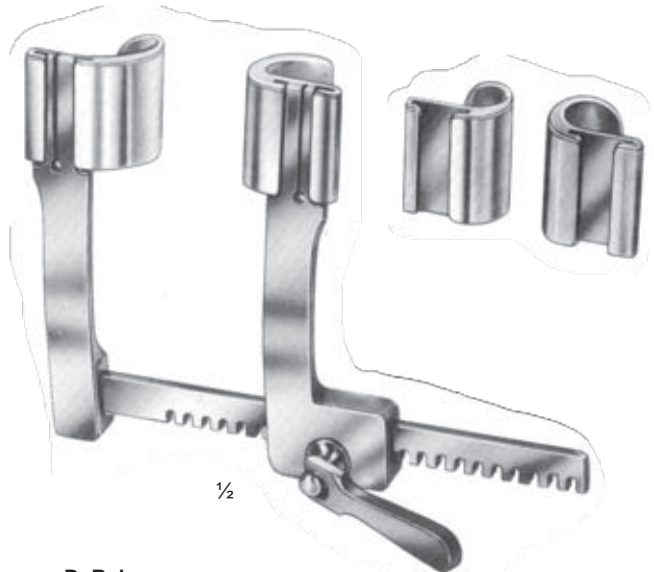
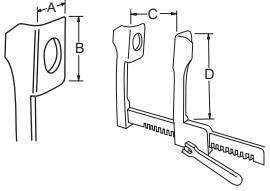
Finochietto-Infant
Finochietto-Baby

	A	B	C
BS12-047-36			36mm
BS12-047-75			75mm
BS12-049-00	7mm	7mm	100mm
BS12-049-25			125mm
BS12-049-50			150mm



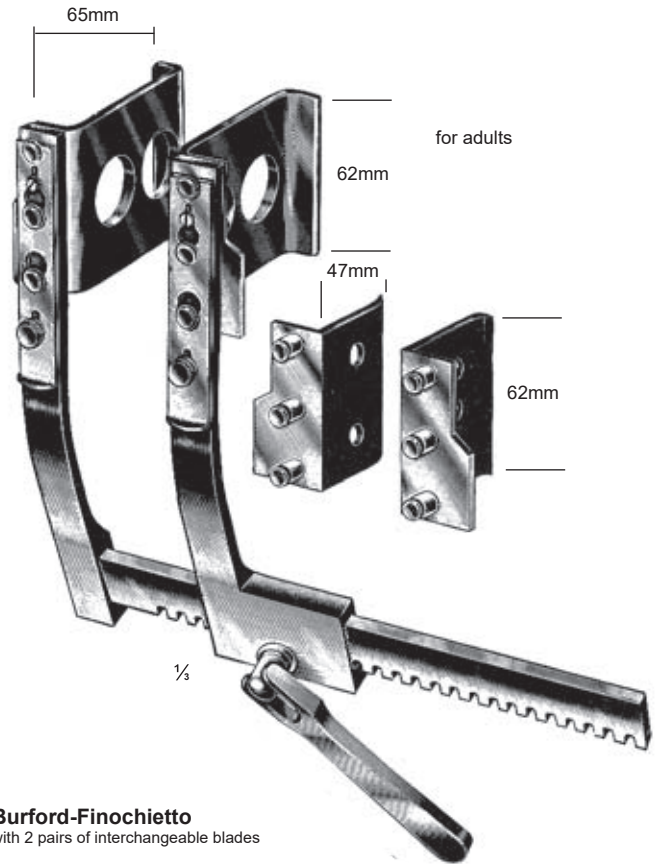
Finochietto

	A	B	C
BS12-051-38	38mm	44mm	150mm
BS12-053-52	52mm	62mm	75mm
BS12-053-65	65mm	85mm	75mm



DeBakey
with 2 pairs of interchangeable blades

- BS12-055-70
pediatric size
- BS12-057-20
for children
- BS12-059-00
for adults

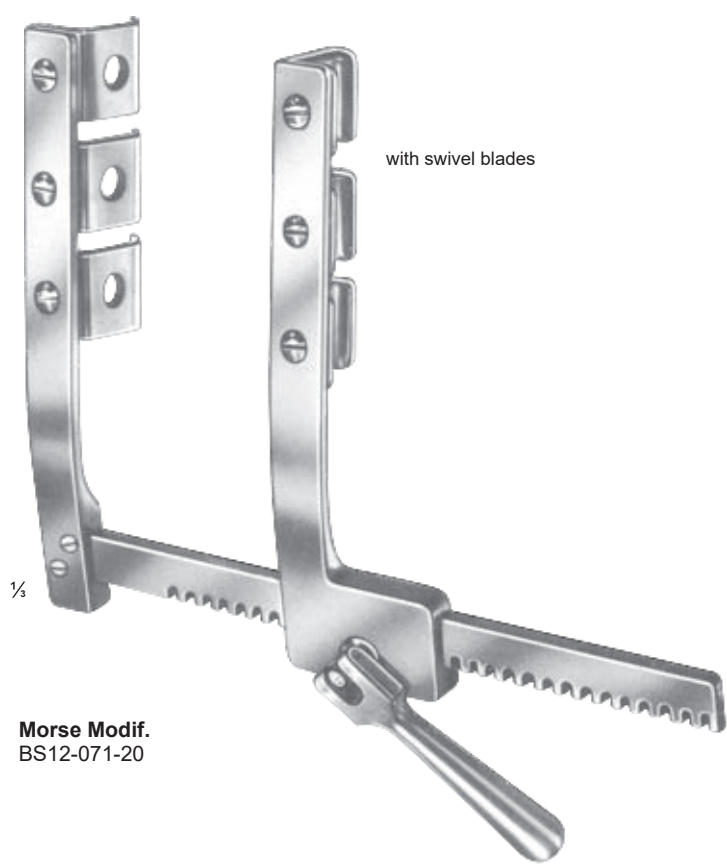


Burford-Finochietto
with 2 pairs of interchangeable blades

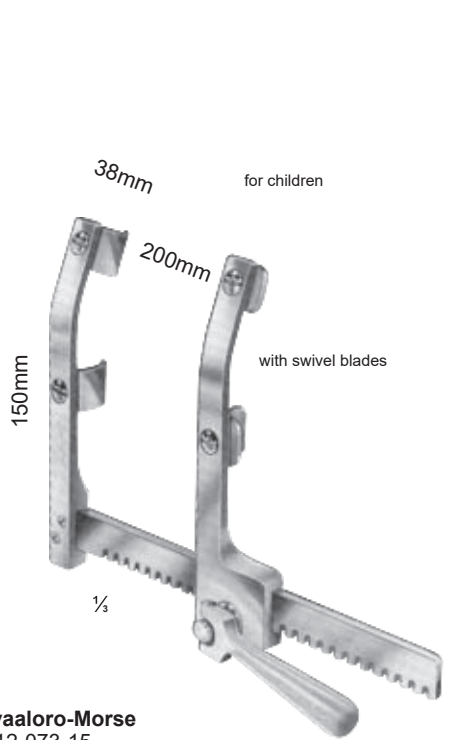
- BS12-061-20
- BS12-061-25
- BS12-061-30

	1. pair of interchangeable blades		2. pair of interchangeable blades		blade opening
	Amm	Bmm	Amm	Bmm	Cmm
BS12-055-70	15	15	15	12	70
BS12-057-20	30	30	30	21	120
BS12-059-00	60	52	60	32	200
BS12-061-20	65	62	47	62	200
BS12-061-25	65	62	47	62	250
BS12-061-30	65	62	47	62	300

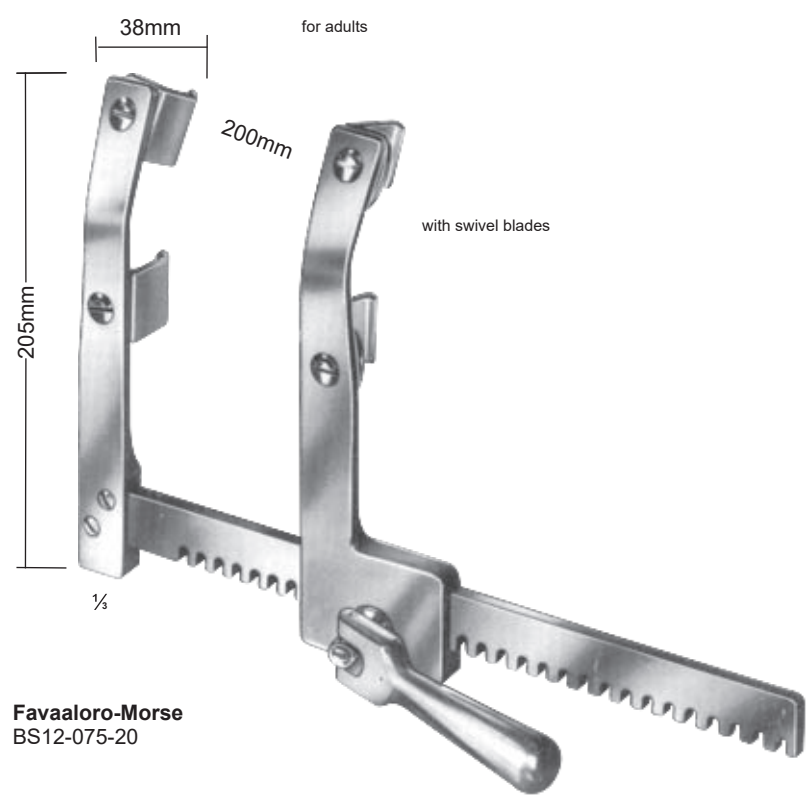
Sternotomy Spreaders



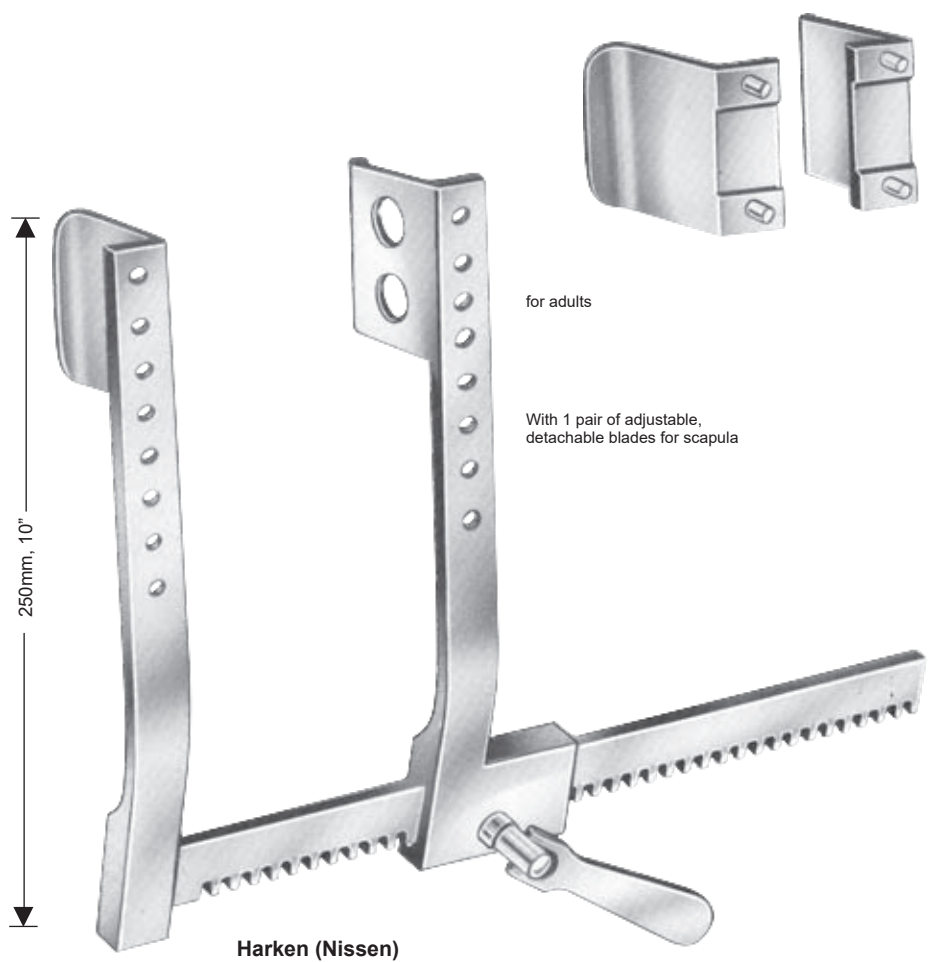
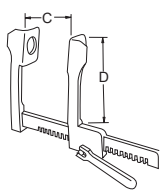
Morse Modif.
BS12-071-20



Favaaloro-Morse
BS12-073-15



Favaaloro-Morse
BS12-075-20



	un-removable blades		blades for scapula		blade opening
BS12-077-00	45mm/1¼"	75mm/3"	40mm/1½"	50mm/2"	200mm/8"
BS12-077-50	45mm/1¼"	75mm/3"	40mm/1½"	50mm/2"	250mm/10"



Bethune
BS12-079-34
34 cm / 13 1/2"

1/3



Gluck
BS12-081-22
22 cm / 8 3/4"

1/2



Stille
BS12-083-21
21 cm / 8 1/4"

1/2



BS12-085-23
23 cm/9"
Bone Shears

1/2



BS12-087-22
22 cm/8 3/4"

1/2



BS12-089-17
17 cm/6 3/4"

1/2



